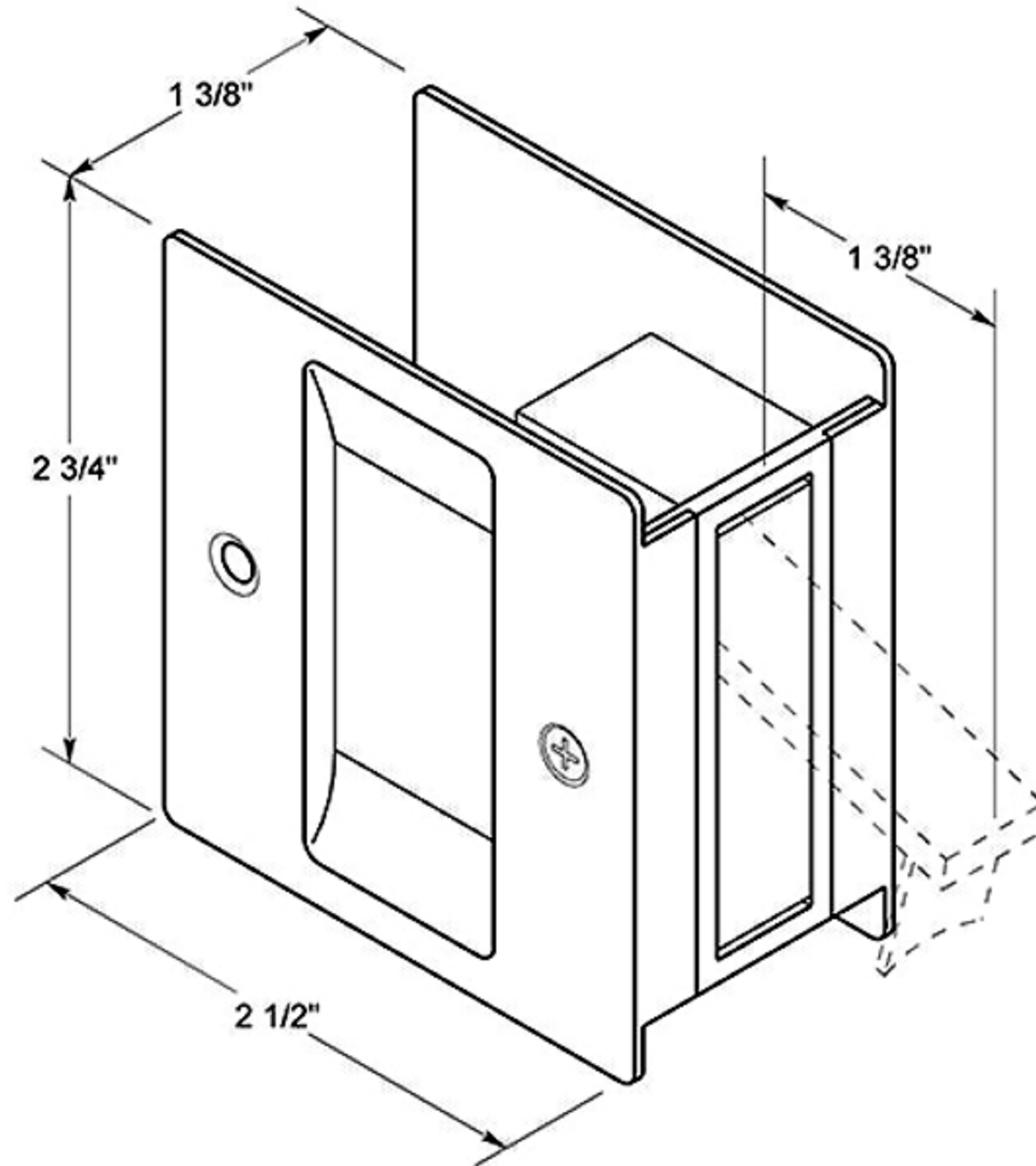


U NEED HARDWARE

ITEM # SD300

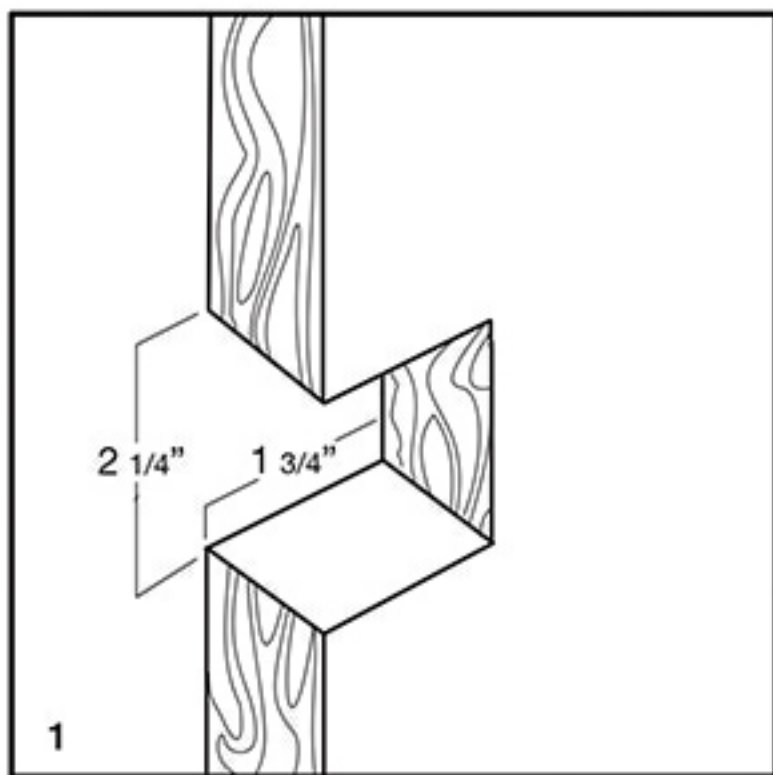
POCKET DOOR PULL-PASSAGE, SOLID BRASS



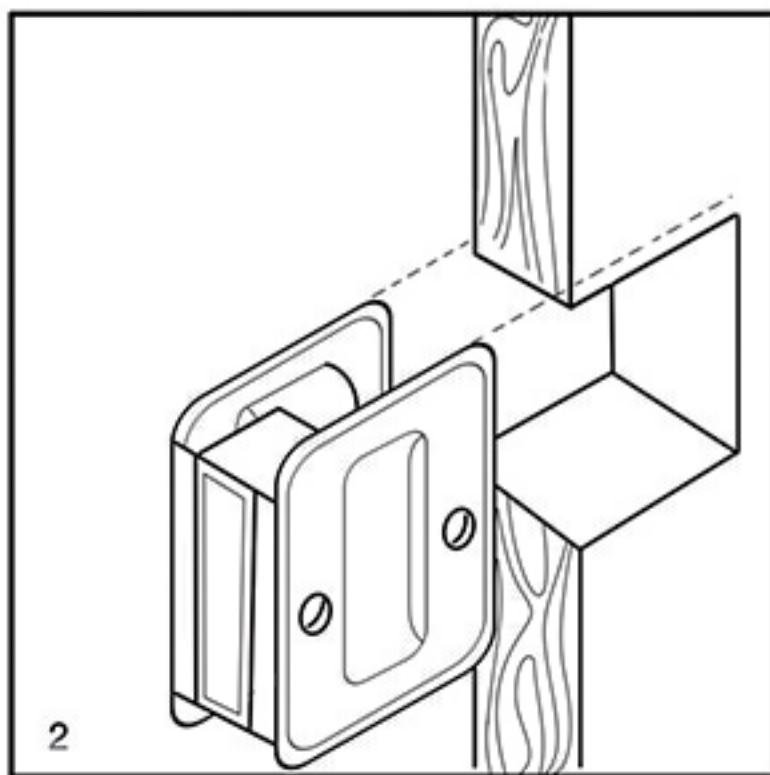
DRAWING NOT TO SCALE

Note: U NEED HARDWARE Co. reserves the right to constantly improve its products and is not responsible for differences between the product in-hand and the specifications contained in this drawing. We do not recommend pre-drilling holes or pre-cutting woods or metals based on the drawing info. if the accuracy of the specifications has not been measured and re-confirmed by the installer having the actual product in-hand.

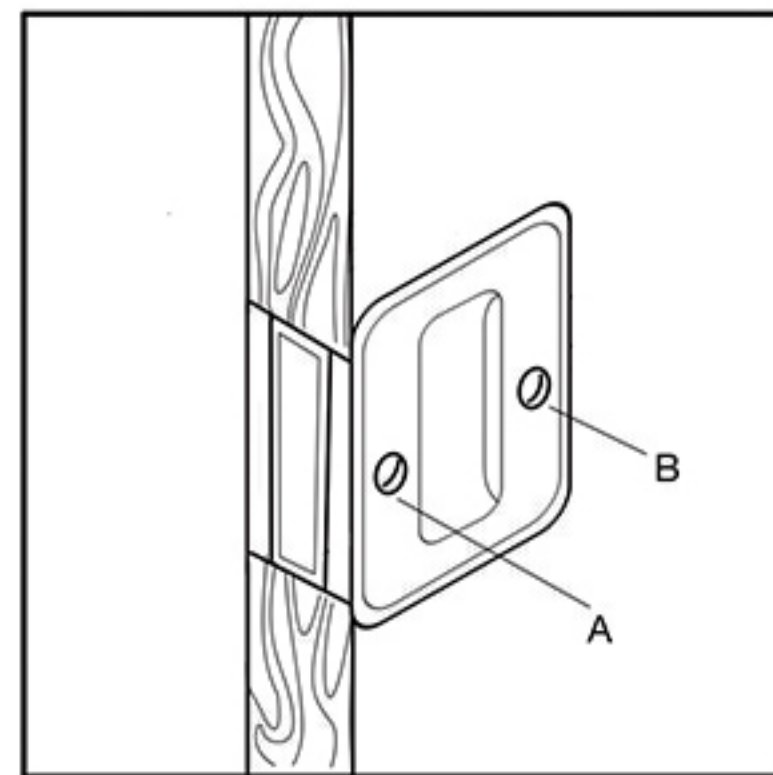
INSTALLATION INSTRUCTIONS / Fits Door Thickness: 1 3/8"



1 Cut one simple notch in door.

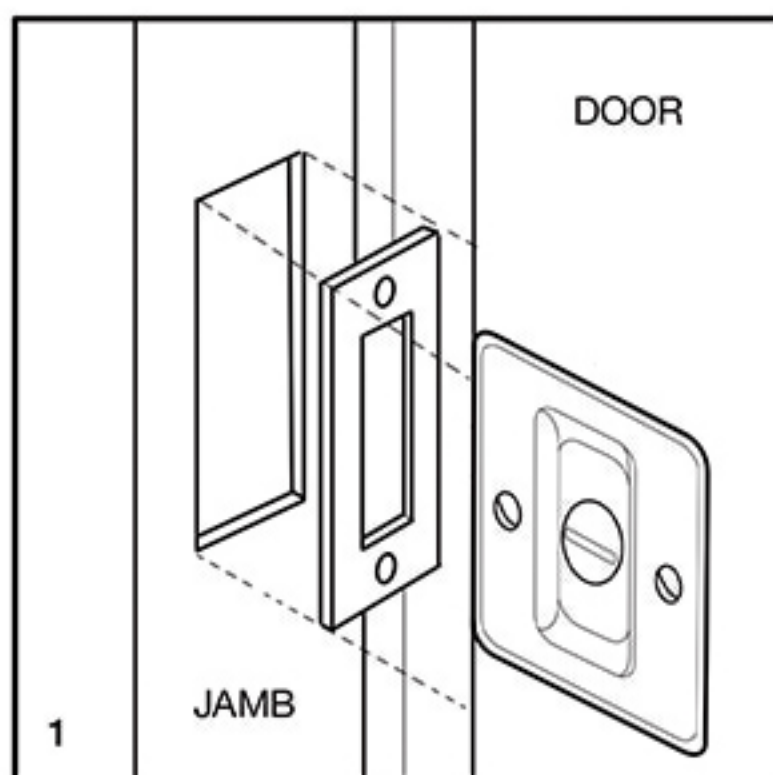


2 Slip pull into position as shown.

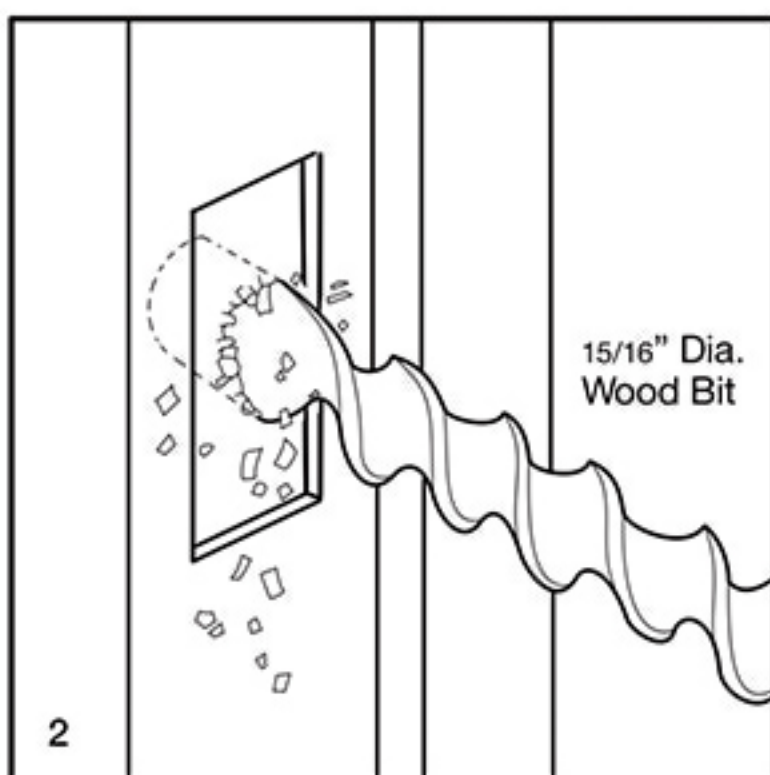


(A) Fasten machine screw which tightens and automatically aligns pull.
(B) Insert wood screw and tighten.

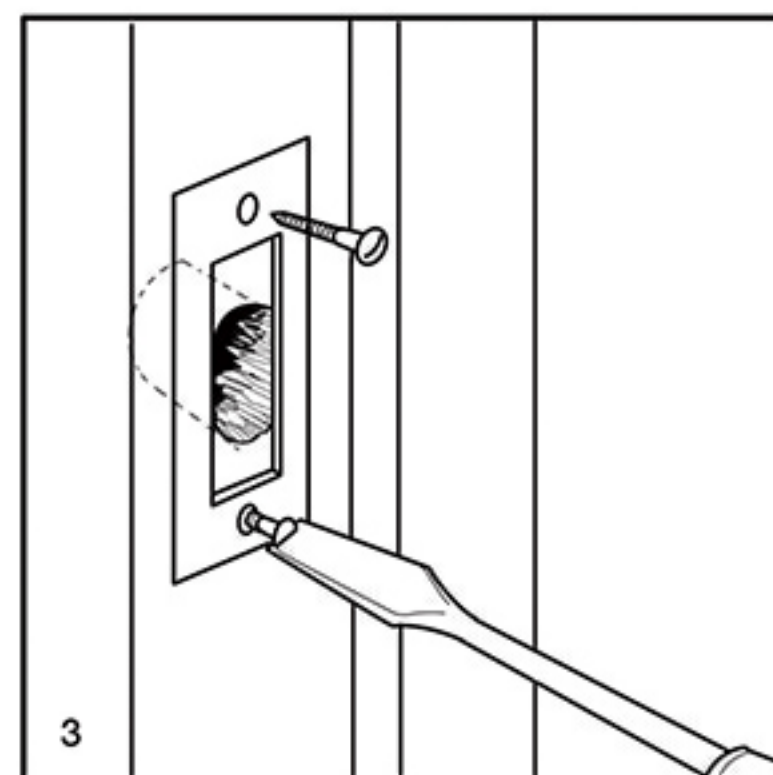
INSTALLATION OF STRIKE PLATE FOR LOCKING SET ONLY



1 Mark and mortise strike on jamb to correspond to lock position on door 1" x 2 1/4" x 1/16" deep.

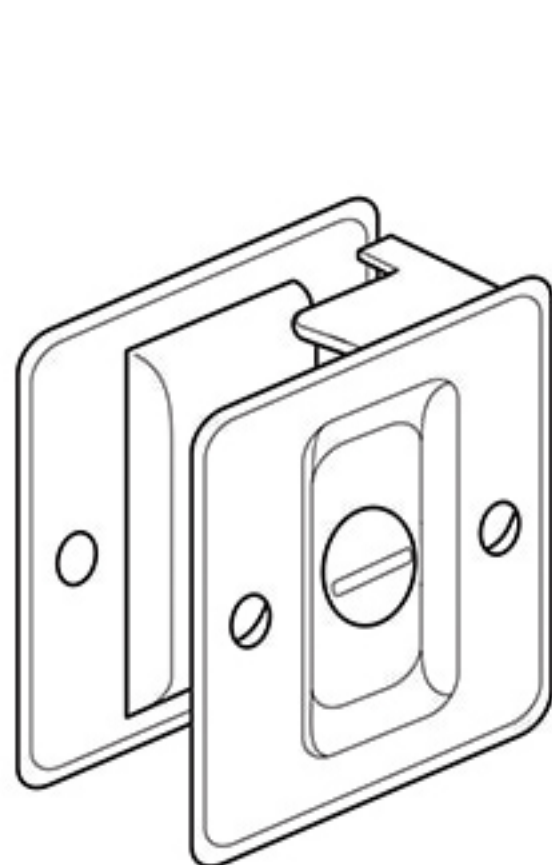


2 Drill 15/16" diameter hole 1/2" deep in center of mortise.

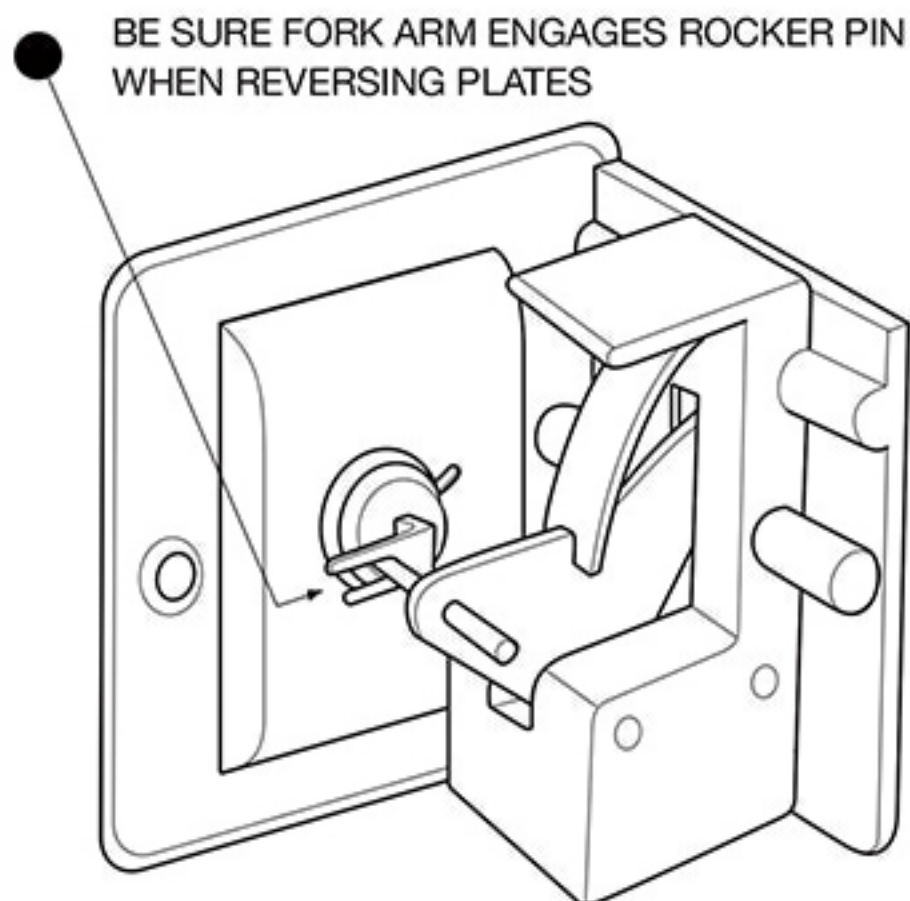


3 Screw strike plate into position using #6 x 5/8" long flat head wood screws.

TO ASSEMBLE AFTER REVERSING PLATES

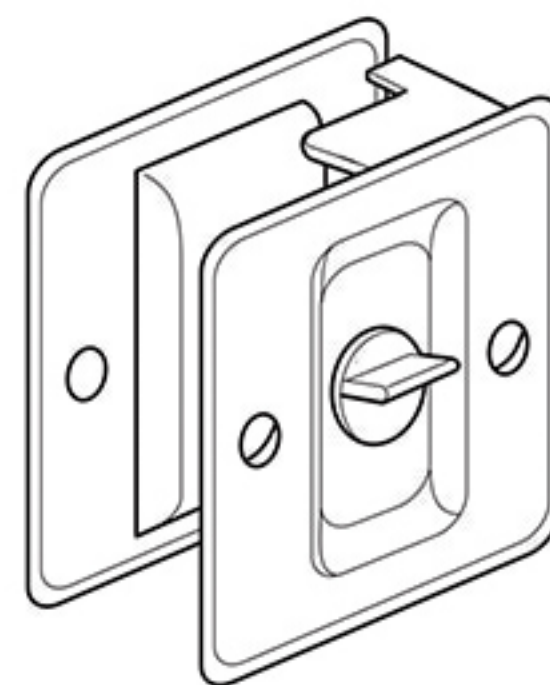


Before changing plates



BE SURE FORK ARM ENGAGES ROCKER PIN WHEN REVERSING PLATES

With one plate removed



After changing plates

When it is desirable to reverse outside plates on lock assembly, first remove machine screw on each side-change plates from side to side (making sure that fork arm engages rocker pin) and re-assemble.