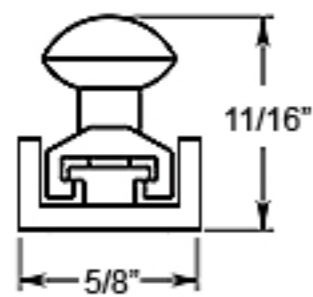
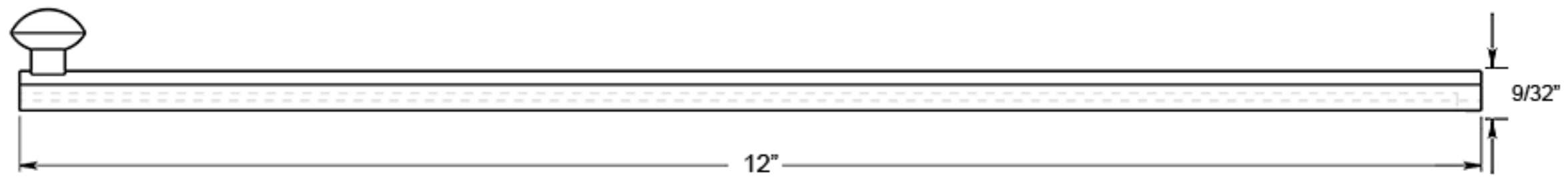


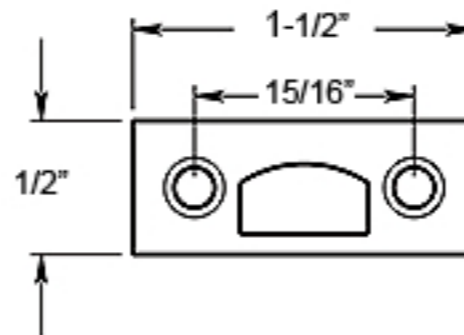
U NEED HARDWARE

ITEM # SB012

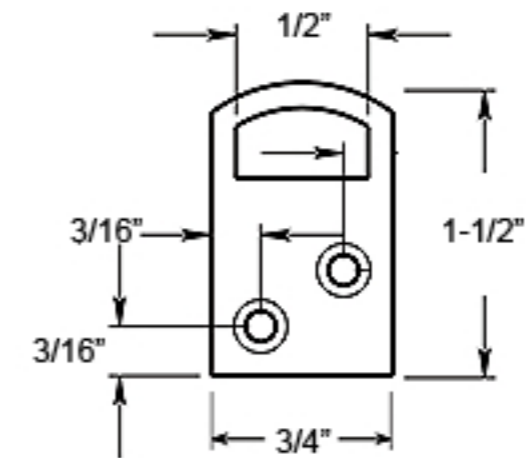
12" SURFACE BOLT/SLIDE BOLT, SOLID BRASS



Mortise Strike



Half-Moon Rim Strike



DRAWING NOT TO SCALE

Note: U NEED HARDWARE Co. reserves the right to constantly improve its products and is not responsible for differences between the product in-hand and the specifications contained in this drawing. We do not recommend pre-drilling holes or pre-cutting woods or metals based on the drawing info. if the accuracy of the specifications has not been measured and re-confirmed by the installer having the actual product in-hand.