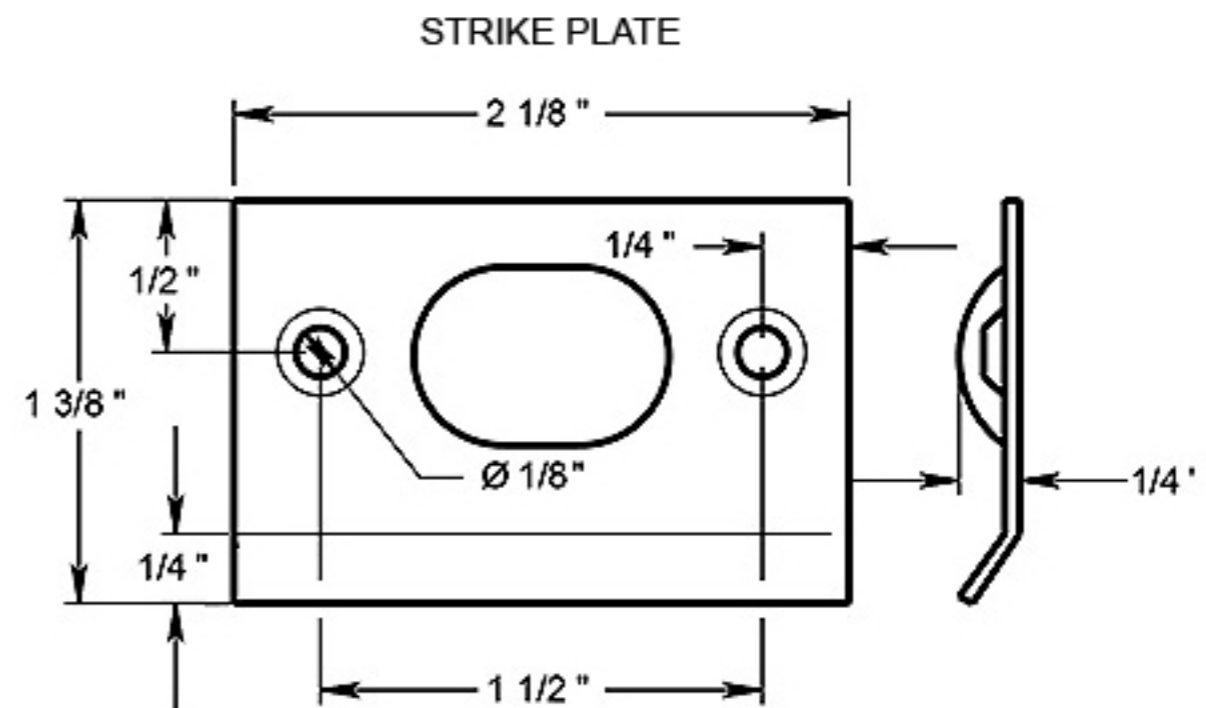
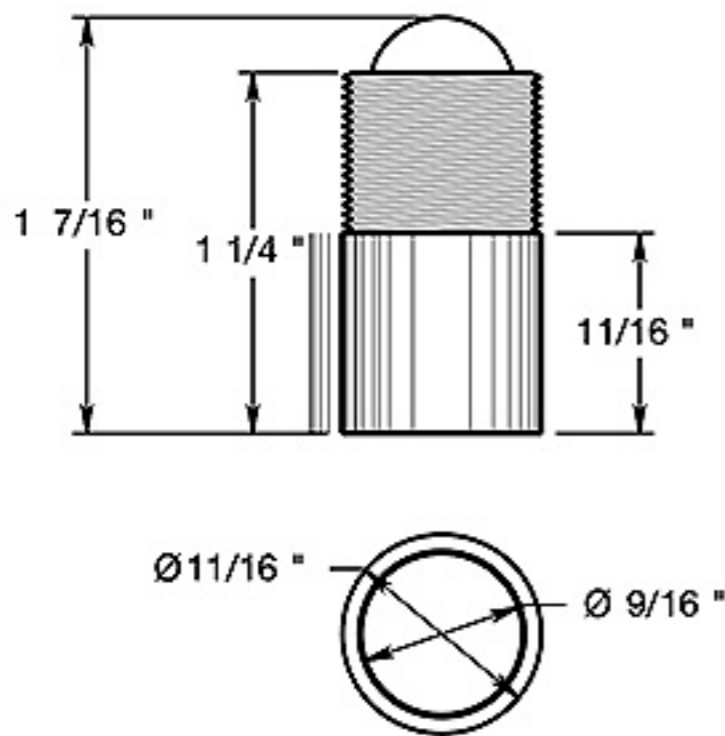
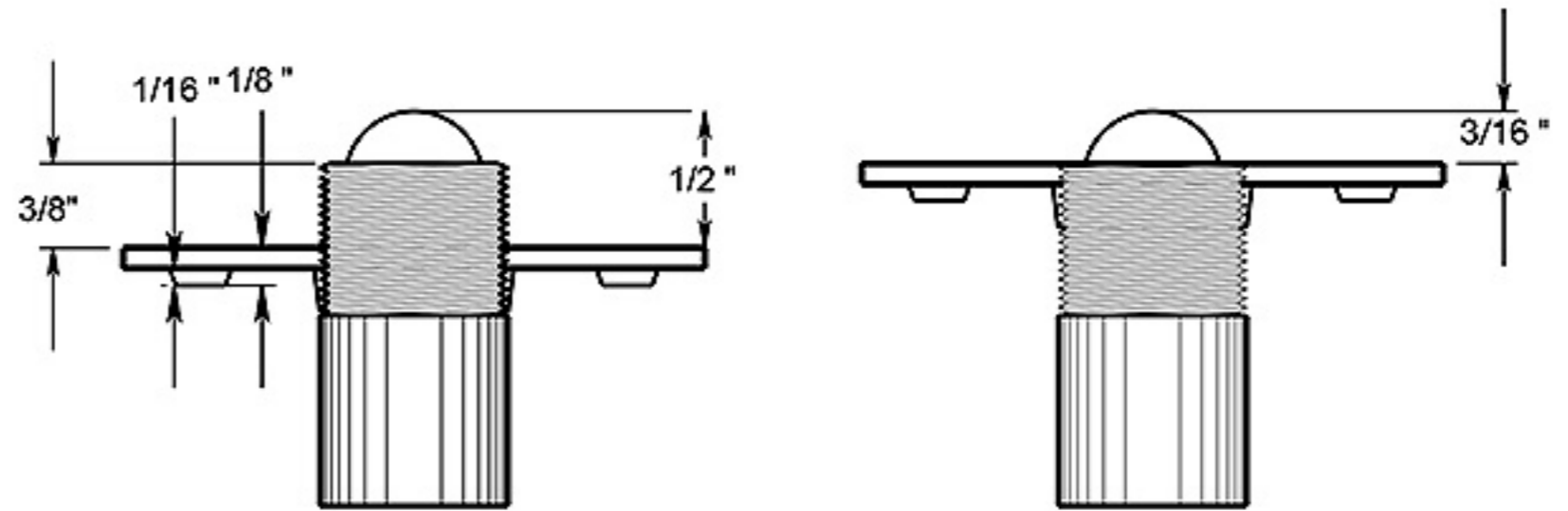
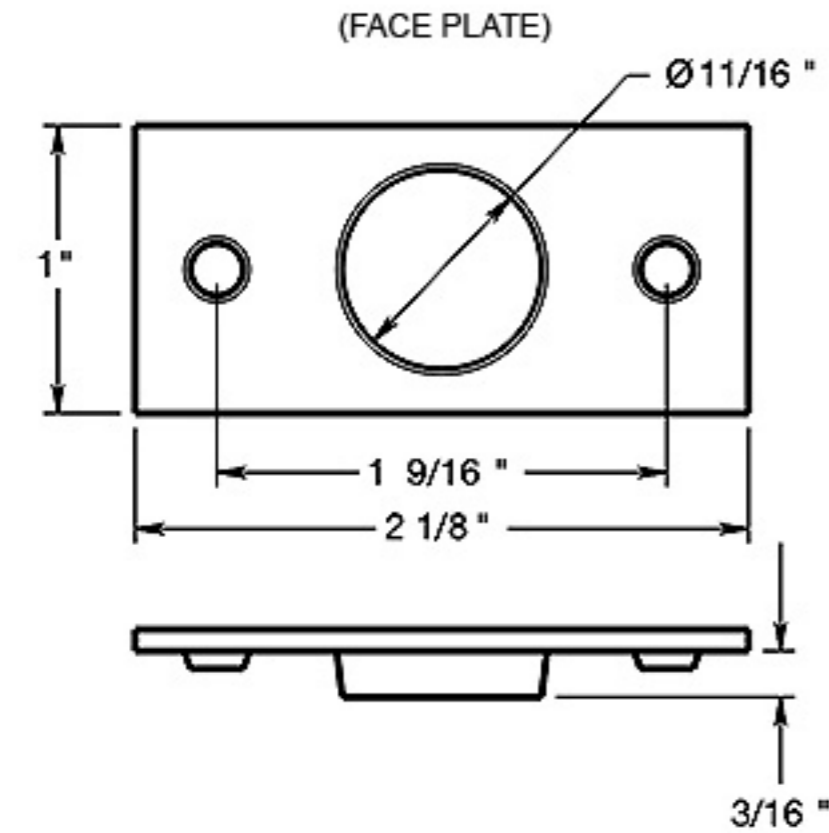


**U NEED HARDWARE**  
**ITEM # BL123**  
**ADJUSTABLE BALL CATCH, SOLID BRASS**



DRAWING NOT TO SCALE

Note: U NEED HARDWARE Co. reserves the right to constantly improve its products and is not responsible for differences between the product in-hand and the specifications contained in this drawing. We do not recommend pre-drilling holes or pre-cutting woods or metals based on the drawing info. if the accuracy of the specifications has not been measured and re-confirmed by the installer having the actual product in-hand.